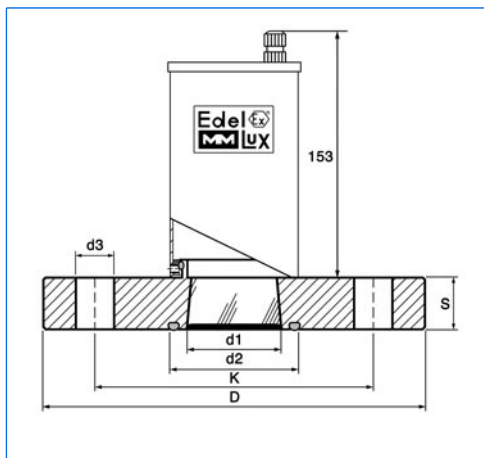




# Metal fused sightglasses for sterile applications for sightglass light fittings series EdelEx 5 dH / 10 dH / 20 dH for use in hazardous areas



Sightglass flange with mounted sightglass light fitting type EdelEx 20 dH, 24 V, 20 W, EEx d IIC T4, Ex II 2 G + D



Dimensions with mounted sightglass light fitting

Branch office / exclusive agent:

## Applications:

- For base flanges to DIN 28117 or similar
- For weldnecks with flat face

**IMPORTANT:** Only for use with parallel flat face flanges without seal recess. Maximum tightening torque 20 Nm. We therefore recommend the use of Belleville spring washers, 2 pcs. for each connection hole.

## Advantages:

- High security
- Flush glass / metal border on outer side for easy cleaning for sterile applications
- Brilliant and glare free illumination when combined with light fitting

## Approvals:

TÜV-Approval to the pressure vessel guideline as part of a pressure vessel (for material duplex stainless steel 1.4462)

## Manufactured and tested in conformance with:

- DGRL 97 / 23 / EG, AD 2000 standards, DIN 7080 May 1999, DIN 7079-1 May 1999
- Sightglass fused to metal to DIN 7079
- Materials to VdTÜV specifications and the respective DIN/EN standards
- Glass quality: Borosilicate glass to DIN 7080

## Material certificates:

- Certificate of Conformity to EN 10204-3.1B or 3.1C (3.1A)

## Operating conditions:

- Pressure: -1 to 16 bar (see table)
- Temperatures:

Ring materials:	1.4462:	-30 °C to +280 °C
	2.4602:	-60 °C to +300 °C
	2.4605:	-60 °C to +300 °C
	2.4610:	-60 °C to +300 °C

## Sightglass light fitting series EdelEx (for use in hazardous areas):

Supply: AC or DC (with integrated transformer AC only)  
24, 36, 42, 115, 230, 240 V with integrated transformer  
12, 24 V without integrated transformer

Power: 5, 10, 20 W

Housing: Stainless steel

Protection mode: IP 65, dust and spray water tight

Ignition protection type: EEx d

Explosion group: IIC

Temperature classes: T4 (10 and 20 W), T6 (5 W)

ATEX: Ex II 2 G + D, T 130 °C (T 80 °C in version T6)

**For technical details see data sheet EdelEx 5 dH / 10 dH / 20 dH**

## Dimensions:

DN	PN	D	K	S	d1	d2	d3	Number of holes	O-Ring*	Spring washer*
50	16	165	125	21	38	66	18	4	58,74 x 3,53	31,5/16,3x1,25
65	16	185	145	23	38	86	18	4	78,97 x 3,53	31,5/16,3x1,25

\* Not contained in our delivery

All dimensions in mm. Subject to changes without preliminary notice.



# MAX MÜLLER AG

PROCESS ILLUMINATION AND VISUAL OBSERVATION SYSTEMS

Hagmattstrasse 19 • CH - 4123 Allschwil / Switzerland

Telephone +41 61 487 92 92 • Telefax +41 61 487 92 99

www.maxmuellerag.com E-Mail: blt@maxmuellerag.com

08.03